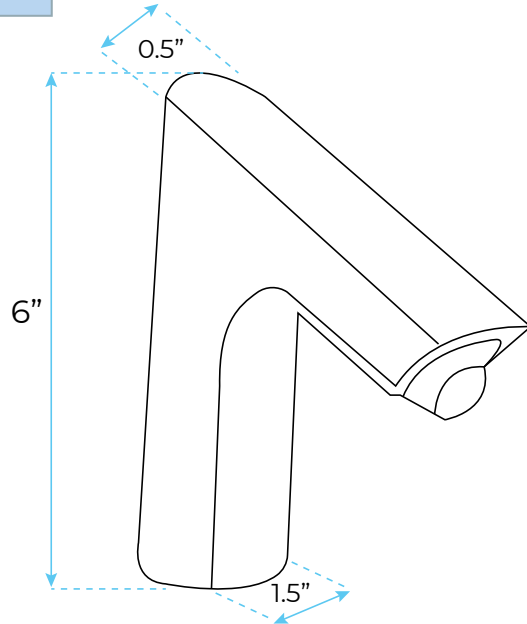


COMMERCIAL TOUCH LESS AUTOMATIC SENSOR FAUCET SPECIFICATIONS



Size

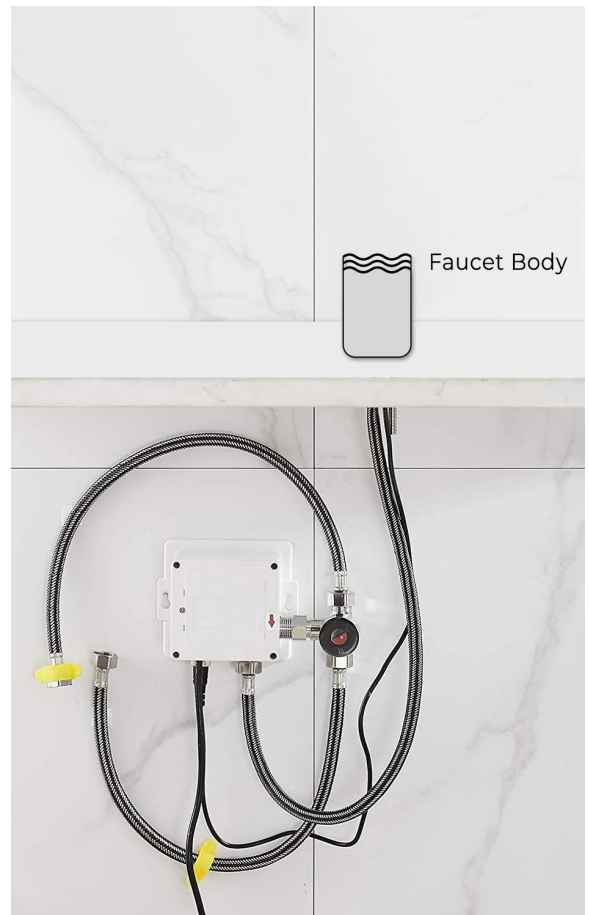


unit: inch

Specs

- Average static power consumption : <50uA
- Instant dynamic power consumption : <2.5W
- Working water pressure : 7.25-101.5PSI (0.05-0.7MPa)
- Sensor distance : 4-11.8in (10-30cm)
- Error detection time : <0.6 second
- Maximum washing period : 60 seconds (Default)
- Mounting diameter : Ø32mm
- Environment temperature : 34 - 104°F (1~40°C)
- Medium temperature : 32 - 149°F (0~65°C)
- Inlet diameter : G1/2"
- Outlet diameter : G1/2"

Overview



All dimensions and specifications are nominal and may vary. Use actual products for accuracy in critical situations.